

SERIES 35-72

120 VAC Microprocessor-Based Direct Spark Ignition Control



F-35-72
May 2016

FEATURES

- Safe start with DETECT-A-FLAME[®] flame sensing technology
- Custom pre-purge and inter-purge timings
- Single or three trials for ignition
- Local or remote flame sensing
- Thermostat/Power off reset
- Open board with standoffs or potted

APPLICATIONS

- Commercial cooking
- Infrared burners
- Construction and agriculture heaters
- Other gas-fired appliances

DESCRIPTION

The 35-72 is a 120 VAC direct spark ignition (DSI) control designed for use in all types of gas-fired appliances. The control uses a microprocessor circuit to provide precise, repeatable timing and operating sequences.

Export Information (USA)

Jurisdiction: EAR
ECCN: EAR99

Agency Certifications



Recognized under the UL component program, UL 372. Software certified to ANSI/UL 1998. UL File MH8817



Design Certified to ANSI Z21.20, CAN/CSA C22.2 No. 199-M89



SPECIFICATIONS

Input Power	102 to 138 VAC, 50/60 Hz
Input Current	50 mA @120 VAC with gas valve relay energized (control only)
Gas Valve	1.5A max @ 120 VAC
Operating Temperature	-40°F to +175°F (-40°C to +80°C)
Storage Temperature	-40°F to +185°F (-40°C to +85°C)
Flame Sensitivity	1.0 μ A minimum
Flame Failure Response	0.8 seconds maximum
Flame Detector Self-check Rate	Once per second minimum
Gas Types	Natural, LP, or manufactured
Spark Rate	50/60 sparks/sec (Line frequency)
Size (LxWxH) with enclosure	5.38 x 2.53 x 2.35 inches (13.67 x 6.43 x 5.97 cm)
Moisture Resistance	Conformal coated to operate non-condensing to 95% R.H. Module should not be exposed to water
Ingress Protection	Not rated, protection provided by appliance in which it is installed
Tries for Ignition	One or three try versions available
Trial for Ignition Periods	4, 7, 10, 15 seconds available
Pre-purge and Inter-purge Timings	0, 5, 15 or 25 seconds available

SEQUENCE OF OPERATION / FLAME RECOVERY / SAFETY LOCKOUT

Start Up - Heat Mode

When a call for heat is received from the thermostat supplying 120VAC to L1, the control will reset, perform a self-check routine, and begin a pre-purge delay. Following the pre-purge period, the gas valve is energized and sparking commences for the Trial For Ignition (TFI) period.

When flame is detected during the TFI, the sparking process is terminated and the gas valve remains energized. The thermostat and burner flame are constantly monitored to assure proper system operation. When the thermostat is satisfied and the demand for heat ends, the gas valve is immediately de-energized.

Failure to Light - Lockout

SINGLE TRIAL MODEL

Should the burner fail to light, or a flame is not detected during the TFI period, the gas valve will de-energize and the control will go into lockout.

MULTI TRIAL MODEL

Should the burner fail to light or the flame is not detected during the TFI period, the gas valve will de-energize. The control will then go through an inter-purge delay before an additional ignition attempt. The control attempts two additional ignition trials before de-energizing the gas valve and entering lockout.

FLAME FAILURE - RE-IGNITION MODE

If the established flame signal is lost while the burner is operating, the control will respond within 0.8 seconds by immediately energizing the H.V. spark for the TFI period in an attempt to relight the flame. If the burner does not light within the TFI, the gas valve will immediately de-energize and single try models will enter lockout. On multi-try models, a new TFI sequence will begin after an inter-purge delay. Multi-try models perform two additional attempts to light the burner before de-energizing the gas valve and entering lockout. If the burner relights, normal operation resumes.

FLAME FAILURE-RECYCLE MODE

With the "Recycle After Loss of Flame" option, upon loss of flame, the gas valve is de-energized and the control proceeds to inter-purge before attempting to relight the flame. Multi-try models permit three tries for ignition including inter-purges. If the burner relights, normal operation resumes. If the burner does not relight, the control will enter lockout.


Lockout Recovery


Recovery from lockout requires a manual reset by either resetting the thermostat, or removing 120 VAC for a period of 5 seconds.


MOUNTING AND WIRING


The Series 35-72 control is not position sensitive and can be mounted vertically or horizontally. The control may be mounted on any surface and fastened with #6 sheet metal screws. Secure the control in an area that will experience a minimum of vibration and remain below the maximum ambient temperature of 80°C (175°F).

All connections should be made with UL Approved, 105°C rated, 18 gauge, stranded, .054" thick insulated wire. Refer to the appropriate wiring diagram when connecting the 35-72 to other components in the system.

 CAUTION	All wiring must be performed in accordance with both local and national electrical codes.
---	---

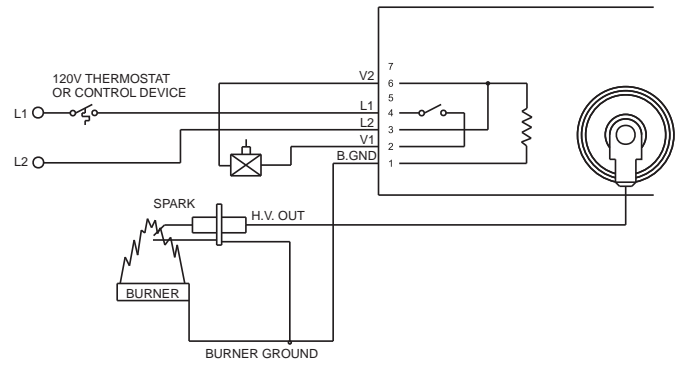
 CAUTION	Label all wires prior to disconnection when servicing controls. Wiring errors may cause improper and dangerous operation. A functional checkout of a replacement control should always be performed.
---	--

 WARNING	This product uses voltages of shock hazard potential. Wiring and initial operation must be performed by a qualified service technician.
---	---

 WARNING	Operation outside specifications could result in failure of the Fenwal product and other equipment with potential for injury to people and property.
---	--

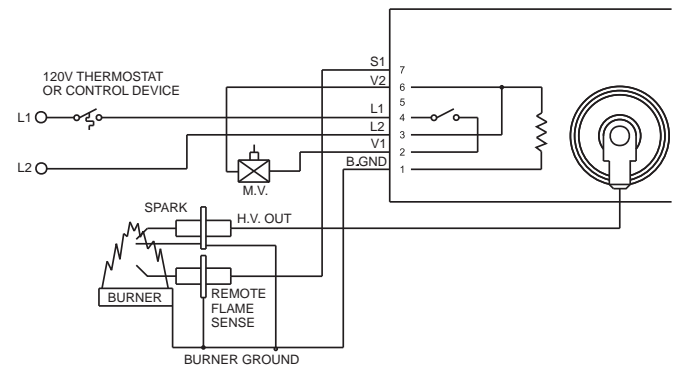
Terminal Designations			
Terminal	Description	Pin Location	Wire Color
Single Spark and Sense		6-Pin Connector	
B. Gnd	Burner Ground	1	Purple
V1	Valve Power	2	Brown
L2	Line Neutral	3	White
L1	120 VAC Input (Hot)	4	Black
Not Used		5	
V2	Valve Neutral	6	Yellow
Remote Flame Sense		7-Pin Connector (same as above plus pin 7)	
S1	Remote Flame Sensor	7	Gray

Wiring Diagrams - 35-72



SIX PIN HEADER TE PART NUMBER 644752-6 ON CIRCUIT BOARD.

Figure 1. Local Sense



SEVEN PIN HEADER TE PART NUMBER 644752-7 ON CIRCUIT BOARD.

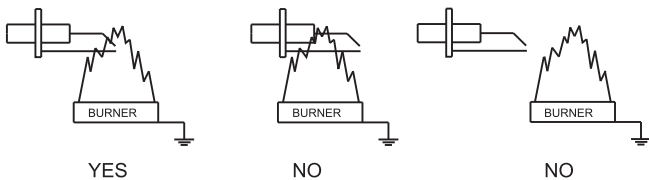
Figure 2. Remote Sense

TROUBLESHOOTING

Troubleshooting Guide	
Symptom	Recommended Actions
1. Control does not start	A. Miswired B. No 120VAC at L1 C. Fuse or circuit breaker fault D. Faulty control
2. Valve on - no spark during TFI	A. Shorted electrode - establish 1/8-inch gap B. Check high voltage cable C. Miswired
3. Spark on - valve off	A. Valve coil open B. Valve wire disconnected C. Faulty control, check voltage at gas valve terminal V1
4. Flame okay during TFI - no flame sense after TFI	A. Check electrode position B. Check high voltage wire C. Poor ground at burner D. Poor flame, check flame current E. Check remote sensor wire on S1 F. Check for proper L1, L2 polarity

Proper Electrode Location

Proper location of electrode assembly is important for optimum system performance. The electrode assembly should be located so that the tips are inside the flame envelope and about 1/2-inch (1.2 cm) above the base of the flame as shown:



Notes:

- Ceramic insulators must not be in or close to the flame.
- Electrode assemblies must not be adjusted or disassembled. Electrodes are NOT field adjustable.
- Electrodes should have a gap spacing of 0.125 ± 0.031 in (3.12 ± 0.81 mm), unless otherwise specified by the appliance manufacturer. If spacing is not correct, the assembly must be replaced.
- Exceeding temperature limits can cause nuisance lockouts and premature electrode failure.
- Electrodes must be located where they are not exposed during normal operation.

Flame Current Measurement

Flame current is the current that passes through the flame from sensor to ground. The minimum flame current necessary to keep the system from lockout is $1.0 \mu\text{A}$. A good burner ground that matches the control ground is critical for reliable flame sensing.

Flame Current Check: Local Sense

To measure flame current, disconnect input voltage, then insert a $0\text{-}50 \mu\text{A}$ DC meter and capacitor in series with the spark electrode per Figure 3A. Reconnect input voltage and initiate call for heat. After sparking is complete and flame is established meter should read $1.0 \mu\text{A}$ or higher while flame is established. If meter reads below "0" on the scale, meter leads are reversed. Disconnect power and reconnect meter leads for proper polarity.

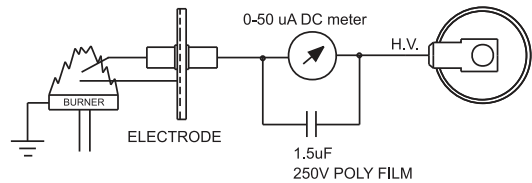


Figure 3A. Local Sense

Flame Current Check: Remote Sense

To measure flame current, disconnect input voltage, then insert a $0\text{-}50 \mu\text{A}$ DC meter inline with flame sense wire per the Figure 3B. Reconnect input voltage and initiate call for heat. After sparking is complete and flame is established meter should read $1.0 \mu\text{A}$ or higher while flame is established. If meter reads below "0" on the scale, meter leads are reversed. Disconnect power and reconnect meter leads for proper polarity.

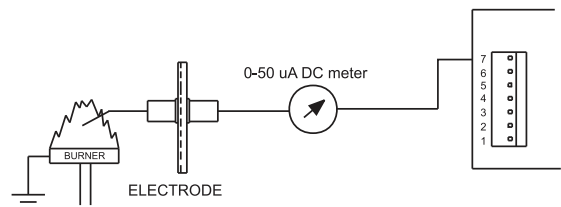


Figure 3B. Remote Sense

DIMENSIONS

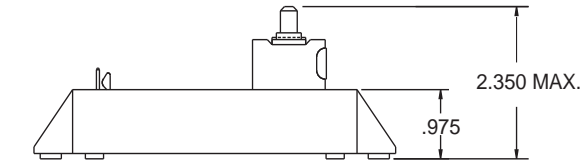
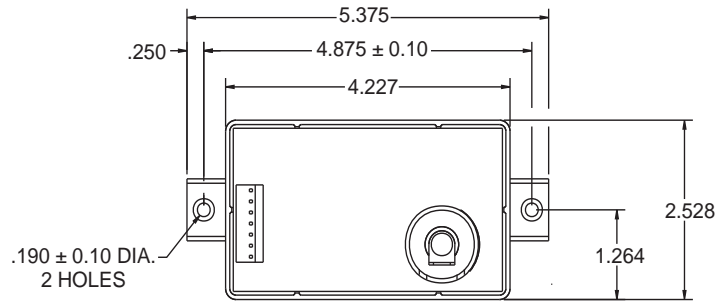


Figure 4. Potted (P/N: 35-72520X-XXX)

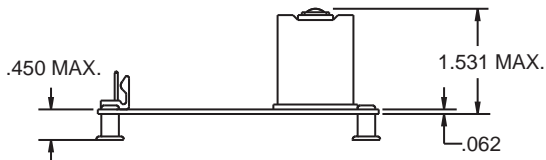
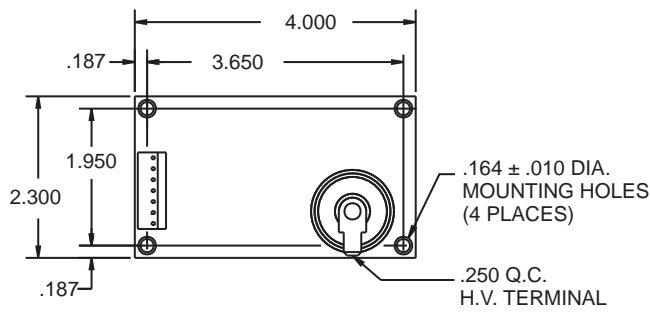


Figure 5. Integral Standoff (P/N: 35-72540X-XXX)

Note: All dimensions are in inches

PART NUMBER CONFIGURATION

SERIES 35-725 **X O X** - X X X

Configuration and Wiring options
 2 = Potted Multi-Pin Connector
 4 = Integral Standoffs Multi-Pin Connector
 8 = Aftermarket Kit
 9 = Special Configuration

An 8 or 9 in this location
 (i.e. 35-72 5 **901** -113)
 indicates a special configuration.
 9XX is a sequentially assigned
 part number and does not follow
 the standard part numbering configuration.

Consult Fenwal for operating characteristics
 of this control.

Trial for Ignition
 1 = 4 Seconds
 3 = 7 Seconds
 5 = 10 Seconds
 7 = 15 Seconds

Inter-Purge
 0 = None (Single Try Only)
 1 = 15 Seconds
 2 = 25 Seconds

Pre-Purge
 0 = None
 1 = 15 Seconds
 2 = 25 Seconds
 5 = 5 Seconds

Tries for Ignition, Flame Sense Method and
 Reset Method
 0 = 1 try, local sense Thermostat / power off reset
 1 = 1 try, remote sense Thermostat / power off reset
 5 = 3 try, local sense Thermostat / power off reset
 6 = 3 try, remote sense Thermostat / power off reset

FENWAL[®] and DETECT-A-FLAME[®] are registered trademarks of Kidde-Fenwal Inc.
 All other trademarks are the property of their respective owners.



Fenwal Controls, Kidde-Fenwal Inc.
 400 Main Street
 Ashland, MA 01721
 Tel: 800-FENWAL-1
 Fax: 508-881-7619
www.fenwal.com

This literature is provided for informational purposes only. KIDDE-FENWAL, INC. assumes no responsibility for the product's suitability for a particular application. The product must be properly applied to work correctly. If you need more information on this product, or if you have a particular problem or question, contact KIDDE-FENWAL, INC., Ashland, MA 01721.