



WARNING Carlin ignitors and ignitor kits must be installed and serviced only by a qualified burner service technician. Always disconnect power source before wiring to avoid electrical shock or damage to electrical components.

Installing and Wiring

1. Carlin Pro-X 45000 universal ignitors can be mounted directly on top of the burner housing in the same manner as standard transformers.

NOTE: since the Pro-X 45000 Ignitor is universal, it can be mounted on virtually any burner without changing base-plates.

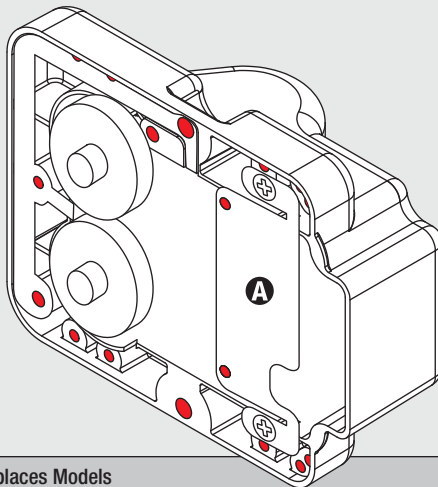
2. Disconnect electrical power to the burner. Disconnect wires from primary control to existing ignition transformer or ignitor.
3. Remove any screws securing ignition transformer or ignitor.
4. Observe the routing of electrical wiring from burner junction box to ignition transformer or ignitor.
5. Remove existing ignitor transformer or ignitor.
6. Select and install the appropriate terminals/springs based on the burner application. If the appropriate terminals are not included, remove and reuse the terminals from the ignitor being replaced.

IMPORTANT: Make sure to align terminals so that they make good contact with the electrode rods. In some cases properly aligned terminals will not be parallel to each other.

7. If installing on an Allanson baseplate, use included adapter plate **A** and flat head screws supplied. Use 2 large flat head screws first, to attach the adapter plate **A** to the ignitor. The 3rd large flat head screw attaches the ignitor to the baseplate via the front center hole. The 2 smaller flat head screws attach the baseplate to the ignitor/adaptor plate **A**. When installing on other baseplates (Carlin, Beckett, etc.), use pan head screws supplied.
8. Install new ignitor. Install, connect and route the ignitor wiring the same as the original ignition transformer or ignitor wiring was installed.
9. Make sure the ignitor is firmly attached and that all electrical connections meet local codes before applying power.

Universal Mounting

The precisely-engineered hole patterns on the bottom of the **Pro-X 45000** enables it to be mounted on virtually any manufacturer's existing ignitor base plate.



Manufacturer	Replaces Models
CARLIN	41000S, 41000SOBK1, 41000SOBK2, 41000SOCAS, 41000SOLC, 41000SOSC, 41000SOWA1, 41000SOWA2, 41000SOWA3, 41000SOWM
ALLANSON	2275-456, 2275-605, 2275-619, 2275-620, 2275-628G, 2275-629, 2275-630, 2275-633, 2275-647, 2275-653, 2275-658, 2275U
BECKETT	51771U, 51805U, 51824U, 51825U, 51826U, 51827U, 51828, 51836U, 51837U, 51840U, 5188U
FRANCE	10SAY-03, 10SAY-04, 10SAY-05, 10SAY-15, 10SAY-16, 10SAY-30, 10SAY-31, 10SAY-32, 10SAY-56, 10SAYL-70
WEBSTER	12-8AB7, 313-24AB81, 313-25AB78, 313-28AB205, 313-28AB85, 313-28AB91, 3-24AB-AER, 3-28AB-BAFR, 3-28AB-BS, 3-32AB-BAF

Ignitor Model	45000
Power Input	120 VAC, 60 HZ, 40 VA
Ignitor Output	19 KV, 35 mA RMS
Secondary Grounding	Midpoint
Operating Temperature Limits	+32°F to +140°F
Storage Temperature Limits	-40°F to +185°F
Agencies	UL Recognized U.S. and Canada

TECH SUPPORT HOTLINE 800-989-2275