

## Product Overview



Print



[Click to Enlarge](#)

<b>Product Type :</b>	AC Motors
<b>Product Family:</b>	3-3/8" Diameter
<b>Stock Number:</b>	15
<b>Reference:</b>	<a href="#">Catalog Page: 030</a>
<b>Description:</b>	MODEL-SFHP-3.3
<b>Features:</b>	Product feature information temporarily unavailable
<b>Applications:</b>	Product application information temporarily unavailable
<b>List Price:</b>	\$85

The image shown is representative only and the actual product may differ from the image shown

### TECHNICAL SPECIFICATIONS    NOTES    DRAWINGS

<b>Horse Power:</b>	1/70
<b>Amperes:</b>	.60
<b>Frequency:</b>	60
<b>RPM:</b>	1550
<b>Voltage:</b>	115
<b>Number of Speeds:</b>	1
<b>Motor Type:</b>	SHADED POLE
<b>Frame Size:</b>	3.3
<b>Phase:</b>	1
<b>Enclosure:</b>	OAO
<b>Bearings:</b>	SLEEVE
<b>Rotation:</b>	CCWSE
<b>Protector:</b>	AUTO

4

3

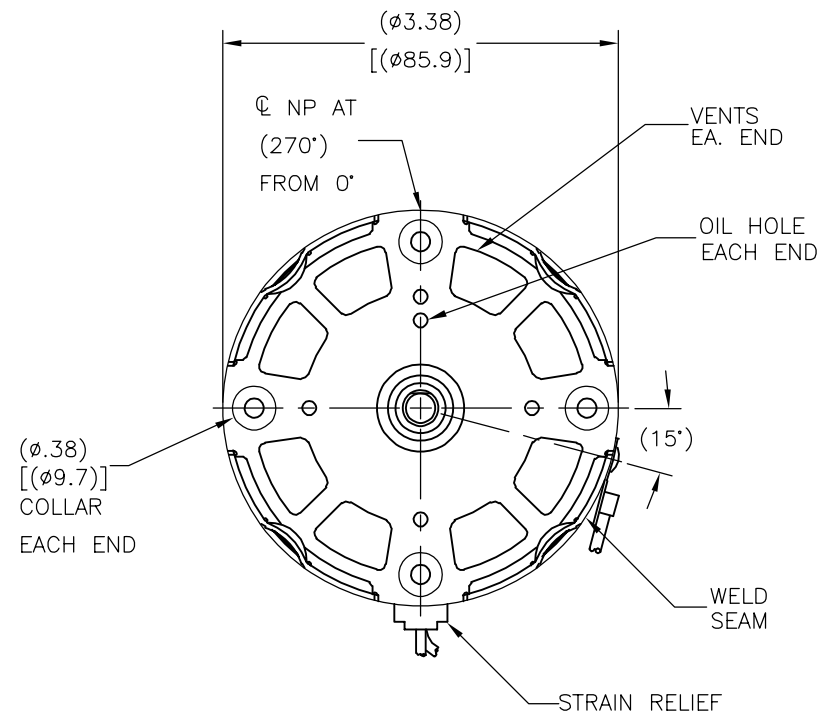
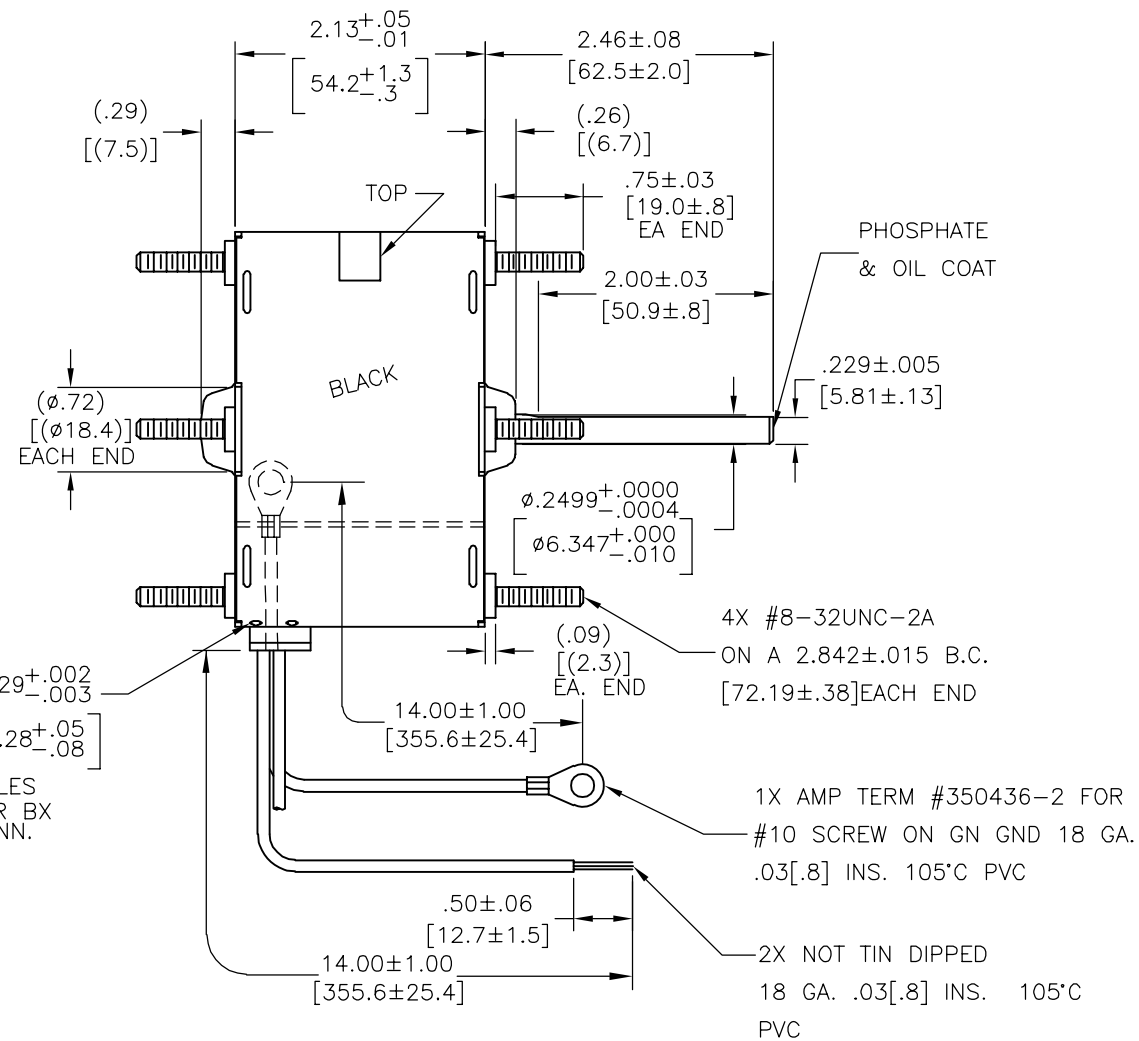
2

1

CUSTOMER IS SOLELY RESPONSIBLE FOR MOTOR PERFORMANCE AND SUITABILITY IN APPLICATIONS FOR CUSTOMER'S USES

REV	ECO	REV BY	DATE	APPD	DATE
CJ	0012872	TZ	07-15-2010	KG	07-15-2010

END PLAY .04[1.0] MAX.



JA2C606N+

JA2C606N+

NAMEPLATE DATA:

**AC Smith** Universal Electric® Motor Tipp City, OH  
 THERMALLY PROTECTED  
 SER. DATE, PLT MOD JA2C606N+   
 115V 60HZ .60A 1550RPM 1/70HP 1PH  
 ROTATION → CONT A O STOCK NO. 15 A0121  
 CLASS B INS. ASSEMBLED IN MEXICO

ELECTRICALLY PER  
 SAMPLE S-3588F

CWLE-CCWE	BOM CHG [CH]
-----------	--------------

GEOMETRIC CHARACTERISTICS & SYMBOLS  
 ▭ FLATNESS  
 - STRAIGHTNESS  
 < ANGLARITY  
 ⊥ PERPENDICULARITY (SQUARENESS)  
 // PARALLELISM  
 ○ ROUNDNESS (CIRCULARITY)  
 ∅ CYLINDRICITY  
 △ PROFILE OF ANY SURFACE  
 ∩ PROFILE OF ANY LINE  
 ↗ RUNOUT  
 ⊕ TRUE POSITION  
 ⊙ CONCENTRICITY  
 = SYMMETRY

UNLESS OTHERWISE SPECIFIED  
 DIM. TOLERANCES ARE AS FOLLOWS:  
 INCH X XX XXX XXXX  
 ±.1 ±.02 ±.005 ±.0005  
 mm ±0.5 ±0.13 ±0.013  
 ANG. ±.50 DEG  
 REMOVE BURRS & BREAK SHARP EDGES:  
 INCH .003-.015 mm 0.1-0.4  
 CORNER FILLETS TO:  
 INCH .020 mm 0.5  
 MACHINE SURFACES:  
 INCH 125 mm 3.2  
 METRIC DIMS. SHOWN IN [BRACKETS]

DR BY: DD  
 APPD:  
 THIRD ANGLE PROJECTION   
 EDS DATE 02-22-2008  
 FORMAT REV F  
 CONFIDENTIAL: THIS DRAWING AND ITS INFORMATION ARE THE EXCLUSIVE AND CONFIDENTIAL PROPERTY OF A.O. SMITH CORP. AND ARE NOT TO BE DISCLOSED, DUPLICATED, DISTRIBUTED OR OTHERWISE USED WITHOUT THE WRITTEN CONSENT OF A.O. SMITH CORP.  
 -ALL RIGHTS RESERVED. ASME Y14.5M 1994

**AC Smith** **ELECTRICAL PRODUCTS COMPANY**  
 Innovation has a name. A DIVISION OF A. O. SMITH CORPORATION

DESCRIPTION  
 OUTLINE  
 AFTERMARKET

SIZE C DWG NO JA2C606  
 SCALE NONE SHEET 1

4

3

2

1