

# PARTS & ACCESSORIES FOR MINI-SPLITS

## MINI-SPLIT CONDENSER MOUNTING BRACKETS

**SMART ELECTRIC MINI-SPLIT CONDENSER MOUNTING BRACKETS** offer strong and secure support for mini-split condensers in various mounting locations. All of our brackets are constructed of heavy duty steel and high quality finish for maximum weather resistance.

### MINI-SPLIT CONDENSER MOUNTING BRACKETS

PART NO	FIGURE	H X W X D	MAX. LOAD	FINISH
SB33	A	18" x 33.5" x 22"	300 lbs	Powdercoat
SB35	A	18" x 33.5" x 24"	500 lbs	Powdercoat
SB46	B	17 3/4" x 13 3/4"	300 lbs	Powdercoat
SB47	B	23 5/8" x 23 5/8"	500 lbs	Powdercoat
SB47L	B	23 5/8" x 23 5/8"	200 lbs	Powdercoat

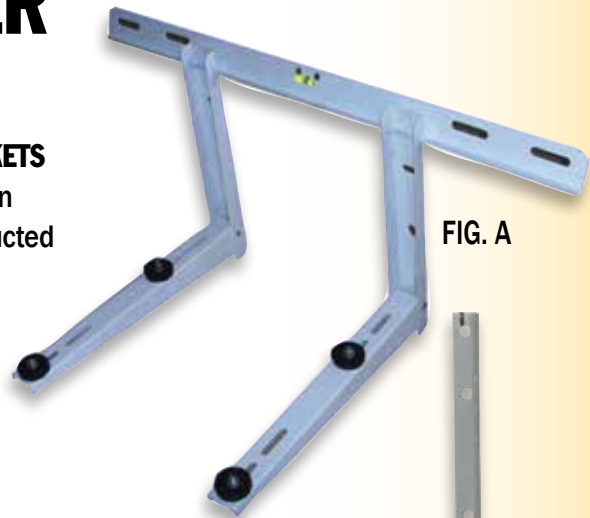


FIG. A

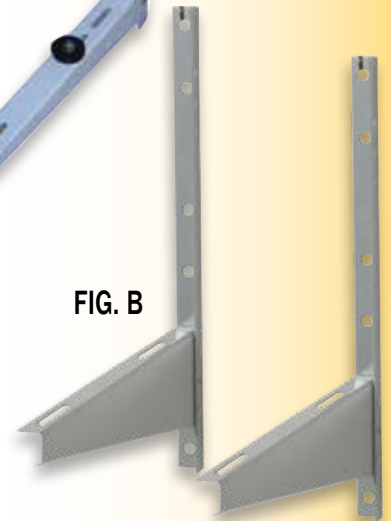


FIG. B



## PLASTIC MINI-SPLIT MOUNTING CHANNEL

### FEATURES:

- 4" Ivory Riser
- Simple secure mounting for small and large piping systems, ductwork runs, cable trays and small equipment such as condensers



### PLASTIC MINI-SPLIT MOUNTING CHANNEL

PART NO	LONG	UPPER SIDE WIDTH	LOWER SIDE WIDTH	HEIGHT	MAX. LOAD	FINISH
SER4	13 3/4"	3 1/4"	4"	3 3/4"	300 lbs	Plastic