

EJAL-A075-CAV-020

HFC, R-404A, 60Hz, 1- Phase, 208/230 V



Availability : Standard US Wholesaler

Mechanical

Unit Height (in):	13.2
Unit Length (in):	24.0
Unit Width (in):	17.9
Ship Weight (lbs):	140.0
Condensor Type:	Air
CopeVap Water Storage:	NA
Liquid Connection Size (in)/Type:	3/8 F
Suction Connection Size (in)/Type:	5/8 F
Discharge Line Size(in):	0.250
Water Inlet (in):	
Water Outlet (in):	
Oil Type:	POE
Oil Recharge Amount (oz):	22

Electrical

Max Fuse Size:	15
Min Circuit Ampacity:	8.2
Compressor:	KAMB-007E-CAV-100
Compressor LRA - Low:	
Compressor LRA - High:	36.0
Compressor LRA - Half winding:	
Compressor RLA:	5.6
UL:	Listed
UL File #:	SA633
UL Guide Card:	LZFE
Amps Per Motor:	0.85
Fan Motor Quantity:	1

Air - Cooled Unit Performance

Release Date:	13-Sep-2002	Return Gas Temp. (°F):	65
Compressor:	KAMB-007E-CAV-100 x 1	Subcooling (°F):	5
Performance No:	5570	Air Flow Rate (CFM)	680

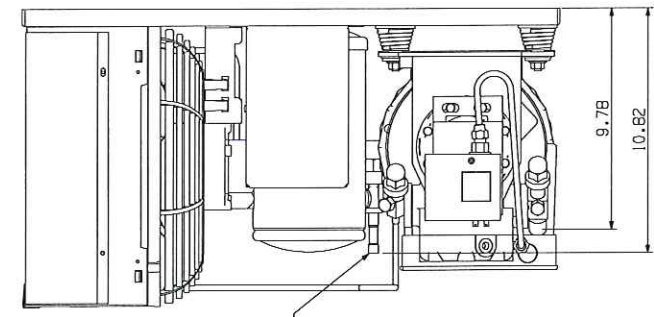
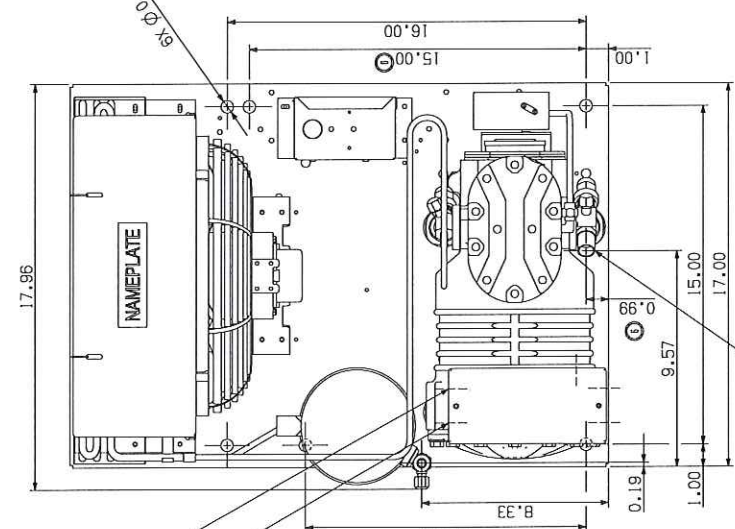
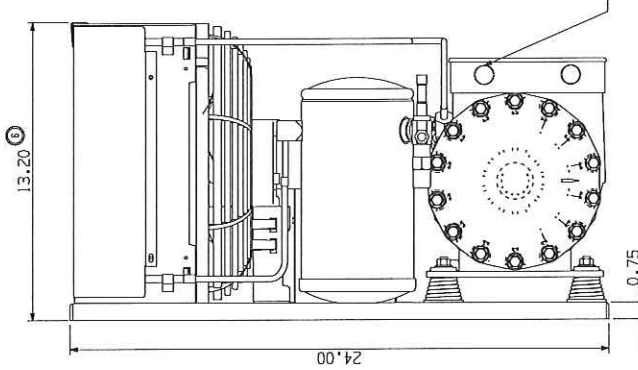
90°F Ambient Air Temperature

<u>Evap Temp</u> (°F)	<u>Unit Capacity</u> (Btu/hr)	<u>Cond. Temp.</u> (°F)	<u>Temp. Diff.</u> (°F)	<u>EER</u> (Btu/Wh):
-40	1,920	101.8	11.8	2.7
-35	2,160	102.8	12.8	2.8
-30	2,490	104.0	14.0	3.1
-25	2,900	105.4	15.4	3.4
-20	3,370	107.0	17.0	3.7
-15	3,880	108.9	18.9	4.0
-10	4,430	110.8	20.8	4.3
-5	4,990	112.8	22.8	4.5
0	5,510	115.3	25.3	4.7

UNIT MODEL NUMBER	COMPRESSOR MODEL NO
E3AM-A075-CAA-020	KAE2-0075-CAA
E3AM-A075-CAA-052	KAE2-0075-CAA
E3AM-A075-CAV-020	KAE2-0075-CAV
E3AM-A075-CAV-052	KAE2-0075-CAV
EBAJ-A075-CAV-052	KANB-007E-CAV
EJAL-A075-CAA-052	KAMB-007E-CAA
EJAL-A075-CAV-052	KAMB-007E-CAV
EJAM-A075-CAV-052	KAMB-007E-CAV
ENAG-A075-CAV-020	KAMB-007E-CAV
EJAH-A075-CAV-052	KANB-007E-CAV
EBAJ-A075-CAV-020	KANB-007E-CAV

UNIT MODEL NUMBER	COMPRESSOR MODEL NO
E3AH-A075-CAV-020	KAN2-0075-CAV
EBAL-A075-CAA-020	KAMB-007E-CAA
EJAL-A075-CAA-020	KAMB-007E-CAA
EJAL-A075-CAV-020	KAMB-007E-CAV
EJAM-A075-CAV-020	KANB-007E-CAV
ELAL-A075-CAV-020	KAMB-0075-CAV
ENAG-A075-CAV-020	KAMB-007E-CAV
EJAH-A075-CAV-020	KAMB-007E-CAV

- NOTES:
- 1. UNIT PUMPDOWN CAPACITY AT 90%
 - R-12 9.8 LBS
 - R-22 8.8 LBS
 - R-134a 9.0 LBS
 - R-404A 7.7 LBS
 - R-407A 8.5 LBS
 - R-407C 8.4 LBS
 - R-502 9.0 LBS
 - R-507 7.7 LBS
 - 2. ALL OPENINGS MUST BE CAPPED OR PLUGGED.



5/8" I.D. SWEAT SUCTION VALVE WITH 1/4" FLARE GAGE PORT

EMERSON
Climate Technologies

Copeland
Low Temperature

INTERNET: WWW.EMERSON.COM
DESIGN STUDIO: 800.451.5200
DO NOT SCALE DIMENSIONS

EMERSON IS AN EQUAL OPPORTUNITY EMPLOYER

EMERSON IS AN ISO 9001 REGISTERED COMPANY

EMERSON IS AN ISO 14001 REGISTERED COMPANY

EMERSON IS AN ISO 45001 REGISTERED COMPANY

EDN/00450	1	ADDED UNITS	12-04-14	ISSD TR
39-0510-018	0	RELEASED	03-20-10	ISSD TR

DATE BY (DWG) (APP)

CONFIDENTIALITY NOTICE

THIS DRAWING AND INFORMATION CONTAINED HEREIN ARE THE EXCLUSIVE PROPERTY OF EMERSON. IT IS TO BE USED ONLY FOR THE PROJECT AND SITE SPECIFICALLY IDENTIFIED IN THE TITLE. IT IS NOT TO BE REPRODUCED, COPIED, OR TRANSMITTED IN ANY FORM OR BY ANY MEANS, WITHOUT THE WRITTEN CONSENT OF EMERSON. MAKE THIS NOTICE A PART OF THE DRAWING.

WARRANTY SPECIFICATION

DRAWN BY: 495-C402-15 / DOO
DATE: 12-04-14
SCALE: 3:18
DWG NUMBER: 495-C402-15
SHEET 1 OF 4

TITLE: REF. DWG. - COPE UNIT ASSM. 495-0402-15