

APOLLO

This quality APOLLO safety valve, along with proper installation, use, and maintenance, will provide many years of reliable service and protection against excessive pressure build-up of steam. Use of this valve for any other purpose or media, places all responsibility upon the user. Before installing valve, or operating boiler, read all instructions carefully. Always wear proper safety equipment.

"Apollo" Valves

Manufactured by Conbraco Industries, Inc.

OPERATING INSTRUCTIONS

If adding water to a boiler, DO NOT ALLOW WATER TO FLOW THROUGH SAFETY VALVE as sediment or debris may be deposited on seating surface.

To achieve topmost performance and maximum service life, it is necessary to maintain a proper pressure margin between the set pressure of the safety valve and the boiler's operating pressure.

The minimum required pressure margin for this type of valve is 4 PSI. UNDER NO CIRCUMSTANCES SHOULD THIS MARGIN BE LESS THAN 4 PSI ! Failure to maintain this operating margin may result in leakage past the seat and accumulation of deposits on the seating surface. Excessive deposits may prevent the safety valve from operating properly and a dangerous pressure build-up and equipment rupture may result.

MAINTENANCE AND TESTING

CAUTION! Before testing, make certain discharge pipe is properly connected to valve outlet and arranged to contain and safely dispose of boiler discharge (see "Installation Instructions").

Under normal operating conditions a "try lever test" must be performed every two months. Under severe service conditions, or if corrosion and/or deposits are noticed within the valve body, testing must be performed more often. A "try lever" test must also be performed at the end of any non-service period.

CAUTION! Steam/hot water may be discharged from body drain and vent during "try lever" test. Care must be taken to avoid any bodily contact.

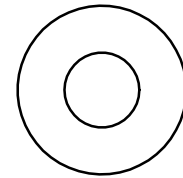
CAUTION! High sound levels may be experienced during "try lever" test. Wear proper safety equipment and exercise extreme care! Test at or near maximum operating pressure by holding the test lever fully open for at least 5 seconds to flush the valve seat free of sediment and debris. Then release lever and permit the valve to snap shut.

If lift lever does not activate, or there is not evidence of discharge, turn off boiler immediately and contact a licensed contractor or qualified service personnel.

Neither Conbraco Industries, Inc. nor its agents assume any liability for valves improperly installed or maintained.

WARNING! THIS PRODUCT CONTAINS CHEMICALS KNOWN IN THE STATE OF CALIFORNIA TO CAUSE CANCER AND BIRTH DEFECTS OR OTHER REPRODUCTIVE HARM. (CALIFORNIA LAW REQUIRES THAT THIS WARNING BE GIVEN TO THE CONSUMERS IN THE STATE OF CALIFORNIA.) FOR MORE INFORMATION VISIT WWW.APOLLOVALVES.COM.

DO NOT REMOVE THIS TAG!



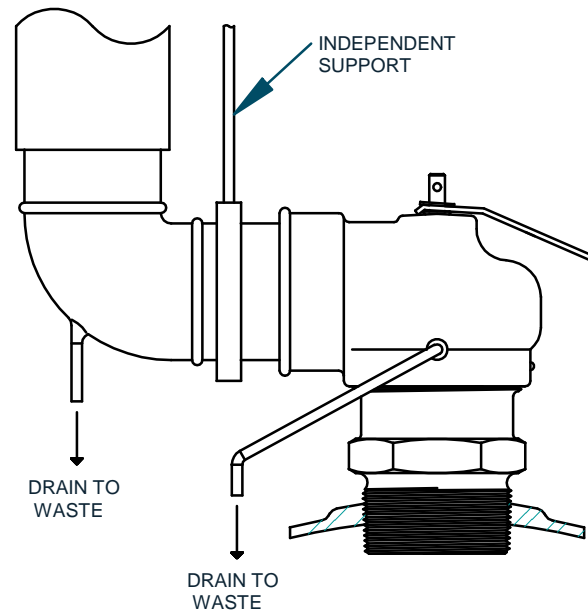
Page 1 of 2

DO NOT REMOVE THIS TAG!

INSTALLATION INSTRUCTIONS

MODEL RVS12 & RVS14

(12 & 14 SERIES)



- 1) Installation must be performed by qualified service personnel only.
- 2) The Btu/hr or lb/hr rating of this valve must equal or exceed that of the equipment to which it is installed.
- 3) **DO NOT** use this valve on a coal or wood boiler having an uncontrolled heat input.
- 4) Insure that all connections, including the valve inlet, are clean and free from any foreign material.
- 5) Use pipe compound sparingly, or tape, on external threads only.
- 6) **DO NOT USE A PIPE WRENCH!** Use proper type and size wrench on wrench pads only.
- 7) This valve must be mounted in a vertical, upright position directly to a clean, tapped opening in the top of the boiler. Under no circumstances should there be a flow restriction or valve of any type between the safety valve and the boiler.
- 8) **WARNING!** During operation, this valve may discharge large amounts of steam and/or hot water. Caution must be taken to prevent bodily contact.
- 9) To reduce the potential for bodily injury and property damage, a discharge line must be installed that:
 - a. is connected from the valve outlet to a safe point of discharge with not intervening valve,
 - b. allows complete drainage of both the valve and the discharge line,
 - c. is independently supported and securely anchored so as to avoid applied stress on the valve,
 - d. is as short and straight as possible,
 - e. terminates freely to atmosphere where any discharge will be clearly visible and is at no risk of freezing,
 - f. terminates with a plain end which is not threaded,
 - g. is constructed of a material suitable for exposure to temperatures of 375°F or greater,
 - h. is over its entire length, of a pipe size equal to or greater than that of the valve outlet.

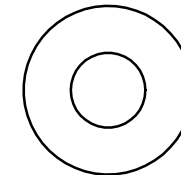
Use only schedule 40 pipe for discharge. (Do not use schedule 80, extra strong, or double strong pipe or connections.)

DO NOT CAP, PLUG, OR OTHERWISE OBSTRUCT DISCHARGE PIPE OUTLET!

If discharge is piped upward, a condensate drain must be provided in the elbow below the vertical pipe to prevent condensate from returning into the valve (see diagram).

- 10) Never plug or otherwise obstruct valve body drain. A drain line should be installed to safely dispose of condensate (see diagram).
- 11) See appropriate ASME Boiler and Pressure Vessel Code for additional installation instructions.

APOLLO



1-2678-00